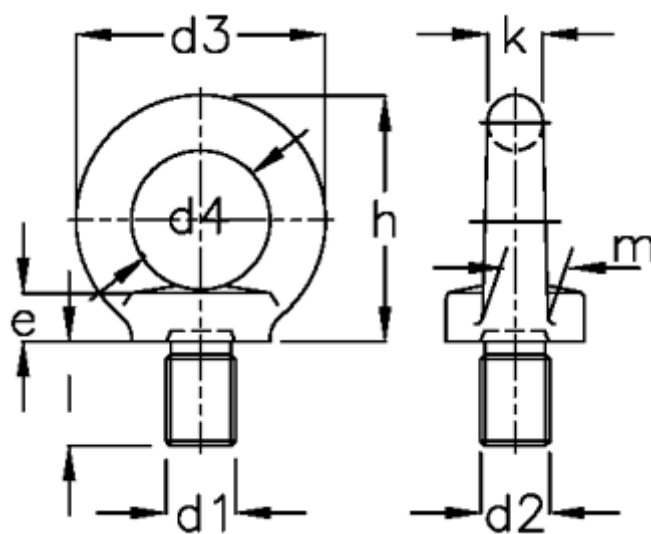


Article number: 20580M24A4
Description: E+G Lifting eye bolts
DIN 580-M24-A4

Measures



$d1 = M24$	$K = 20$
$d2 = 50$	$l = 36.0$
$d3 = 90$	$m = 24$
$d4 = 50$	
$e = 18$	
$F1 = 18000$	
$F2 = 12700$	
$H = 90$	